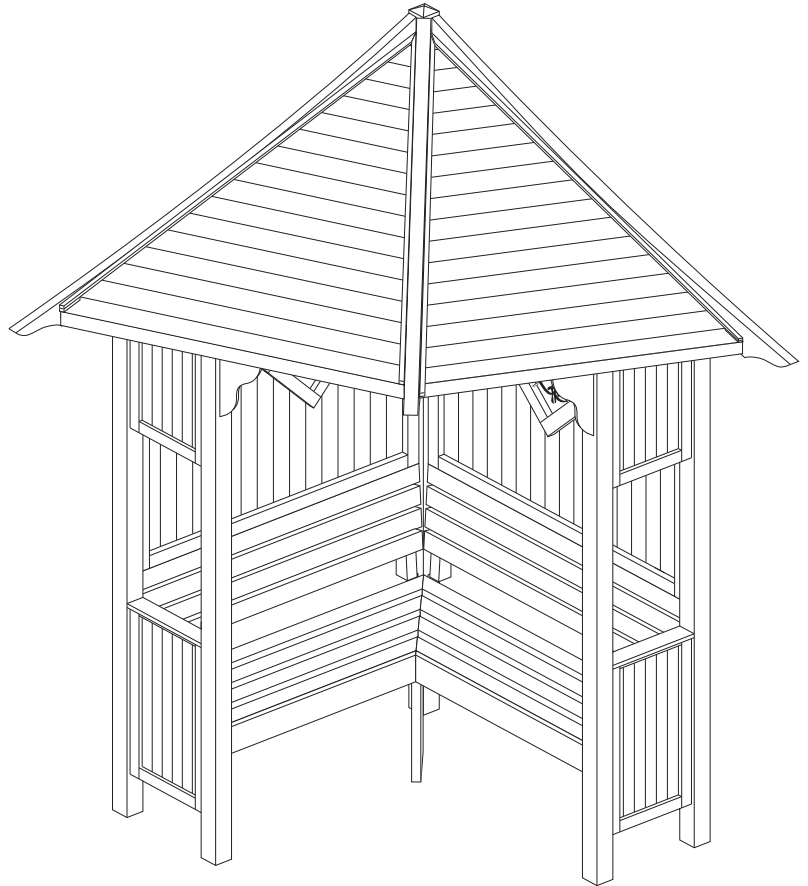


Before assembly

- We recommend that time is taken to read the instructions before starting assembly, then follow the easy step by step guide. The instruction sheet is only a guide to the assembly. Certain items may not be shown to scale.
- Check all components prior to assembly
- This product should be assembled by no less than two people.
- Never attempt to erect the assembly in high winds.
- Drill components where indicated.

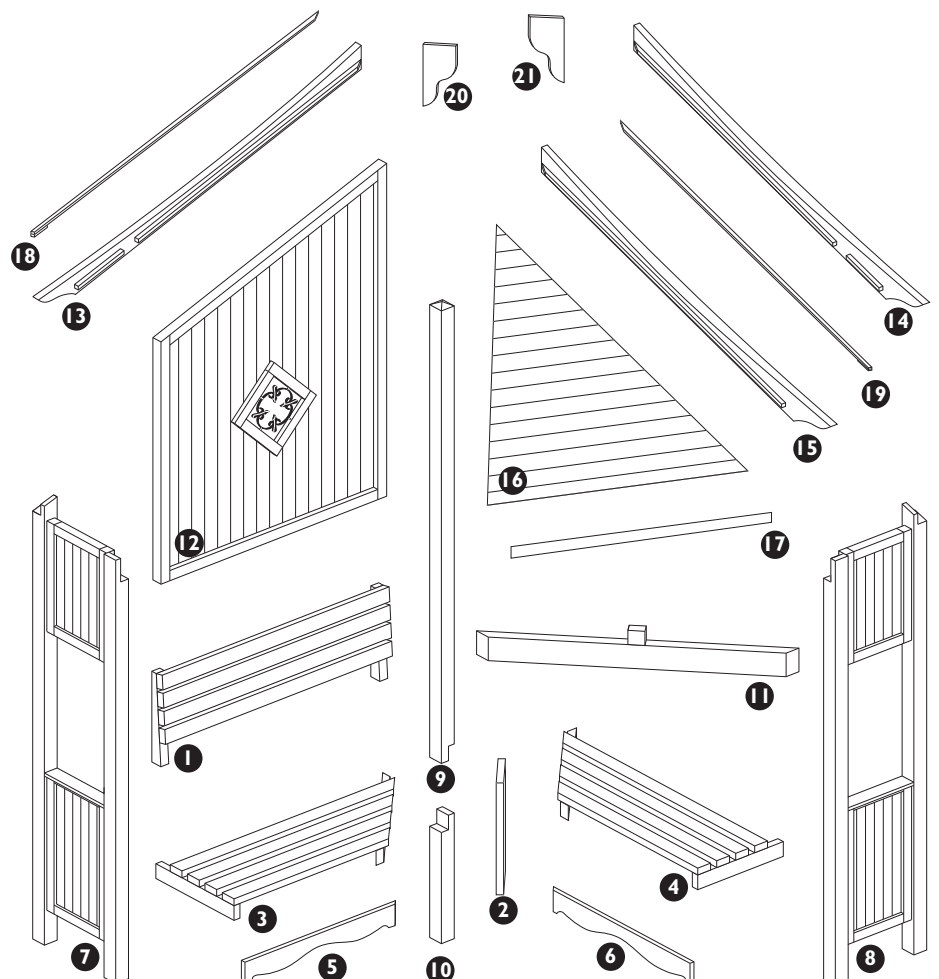

Recommended tools for assembly

- Cross head screw driver
- Drill with 2mm diameter drill bit
- Tape measure
- Step ladder



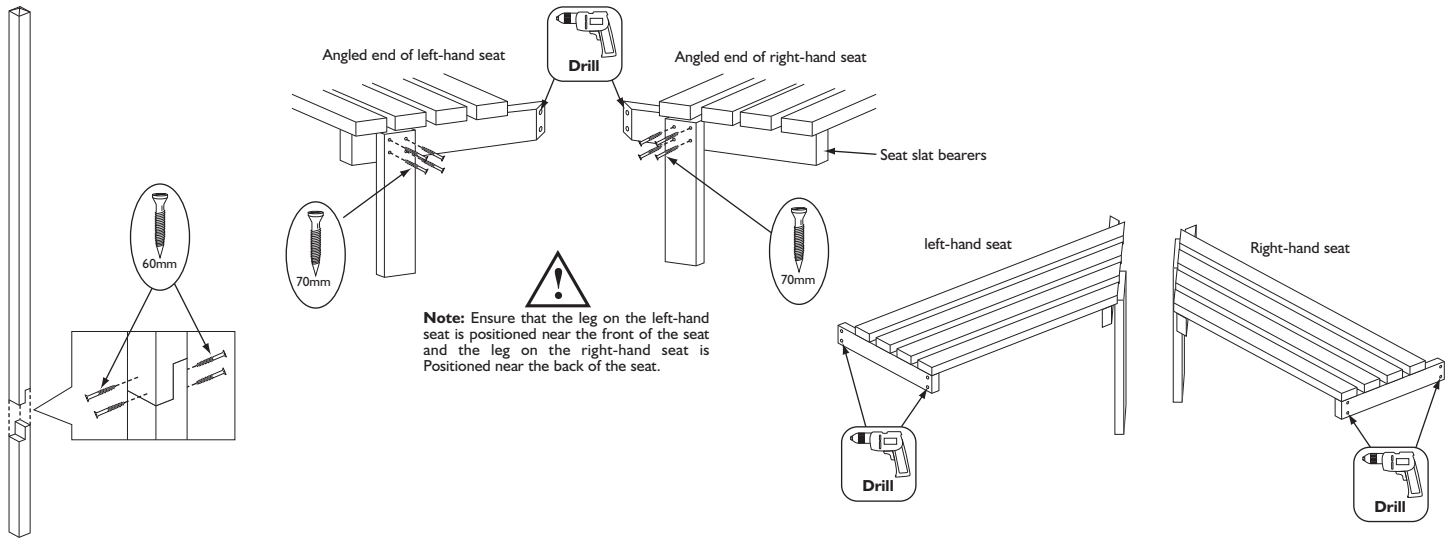
No.	Components	Qty.
1	Seat back	2
2	Seat leg	2
3	Left-hand seat	1
4	Right-hand seat	1
5	Left-hand seat fascia rail	1
6	Right-hand seat fascia rail	1
7	Left-hand upright	1
8	Right-hand upright	1
9	Centre post upper section	1
10	Centre post lower section	1
11	Centre roof rafter support	1
12	Back panel	2
13	Left-hand roof rafter	1
14	Right-hand roof rafter	1
15	Centre roof rafter	1
16	Roof panel	2
17	Front coverstrip	2
18	Left-hand top coverstrip	2
19	Right-hand top coverstrip	2
20	Left finial	1
21	Right finial	1

No.	Fixing kit	Qty.
22	40mm screws	32
23	60mm screws	24
24	70mm screws	40
25	130mm screws	5
26	150mm screws	2



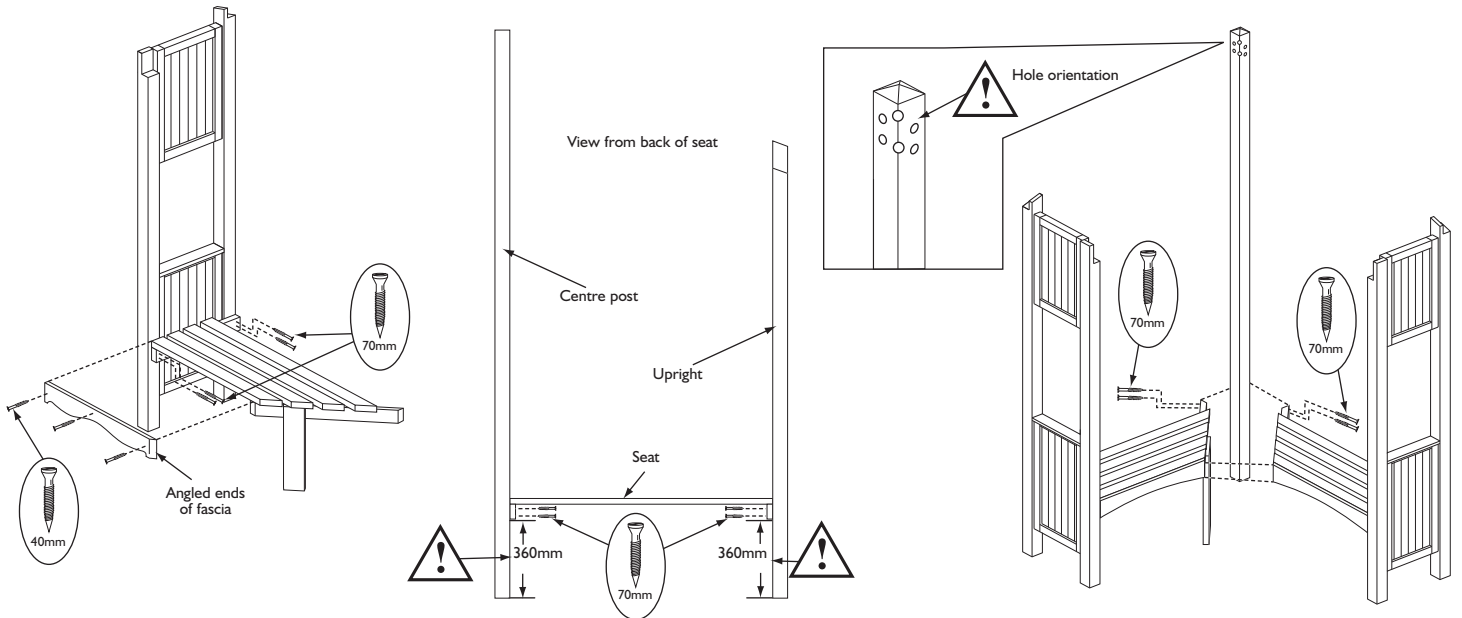
1. Centre post and seats prep assembly

Join together the upper and lower parts of the centre post using 4 x 60mm screws. Fix a seat leg to the angled end of each seat using 4 x 70mm screws per leg as shown below. Drill holes in the seat slat bearers as shown below.



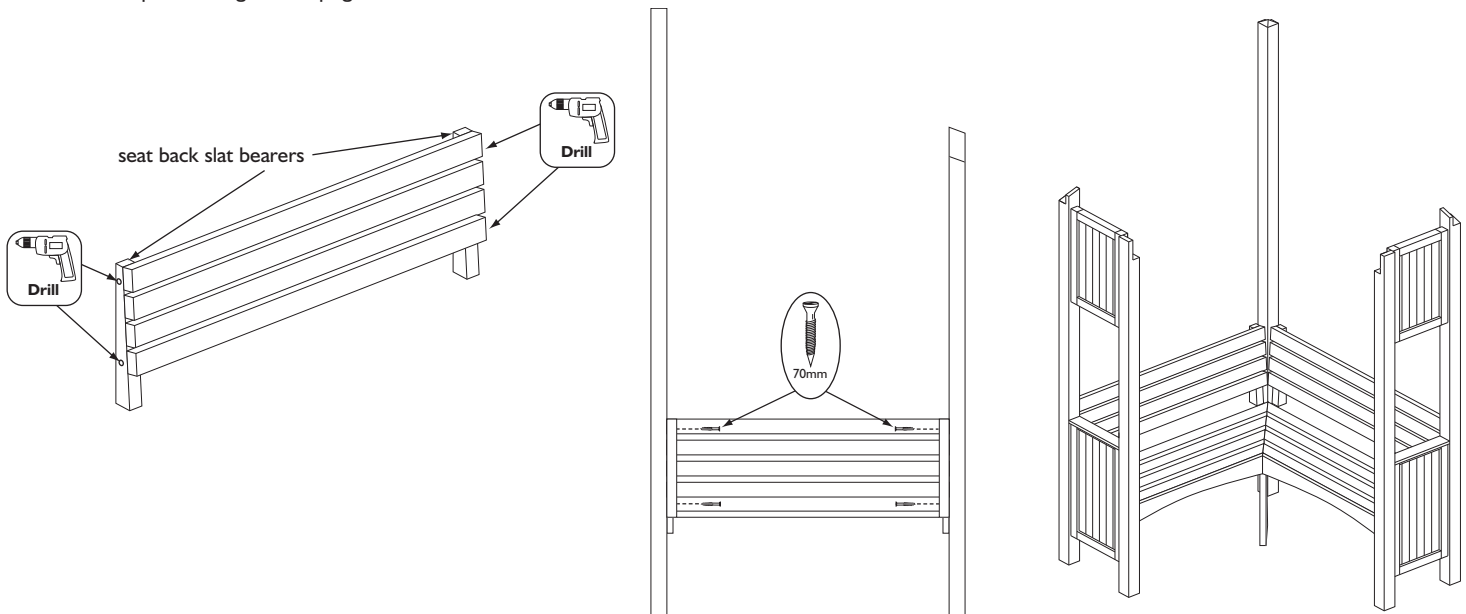
2. Seats to upright and centre post

Position the left-hand seat against the inside of the left-hand upright, ensure the seat bearer is 360mm from the bottom of the upright and the back edge of the seat is flush to the back edge of the upright post. Secure in place using 4 x 70 screws, screw through the drilled holes in the seat bearer into the legs of the upright. Attach the seat fascia rails to the front of the seats using 3 x 40mm screws per fascia. Create the right-hand section in the same way. Attach the left and right section to the centre post. Ensure the correct orientation of the pre-drilled holes at the top of the centre post (as shown below) and the seat is at the same height as on the uprights and that the angled ends of the two seats meet evenly. Use 2 x 70mm screw to secure each seat to the centre post.



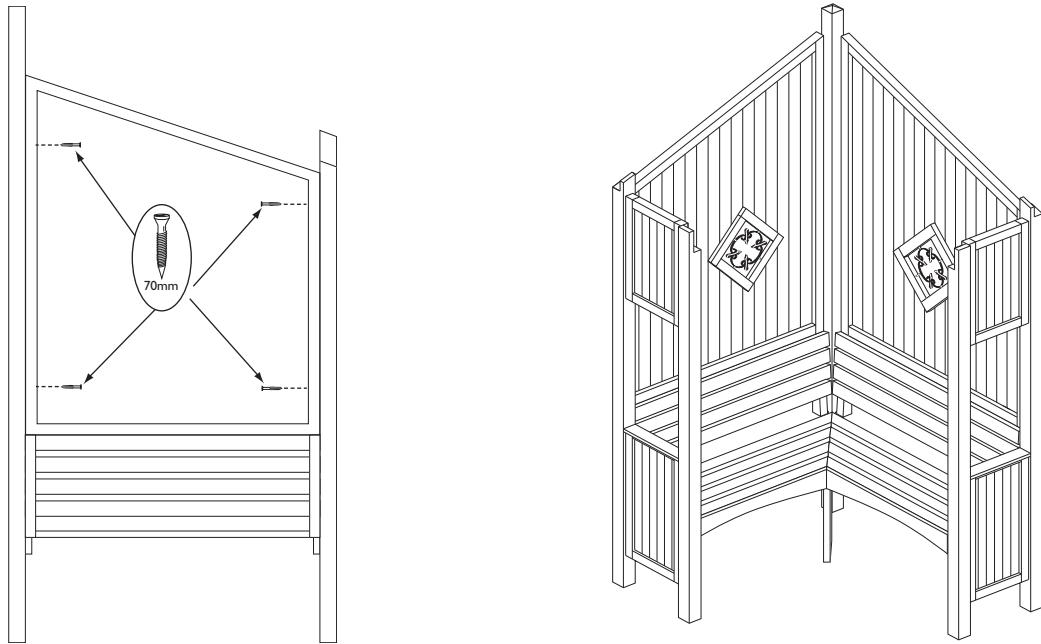
3. Seat backs

At each end of the two seat backs drill two holes in the seat back slat bearers as shown. Position each seat back on top of the seats between the uprights and the centre post. With them flush to the back edge of the uprights and centre post, secure each one using 4 x 70mm screws, screw through the drilled holes of the seat back bearer into the centre post and leg of the upright.



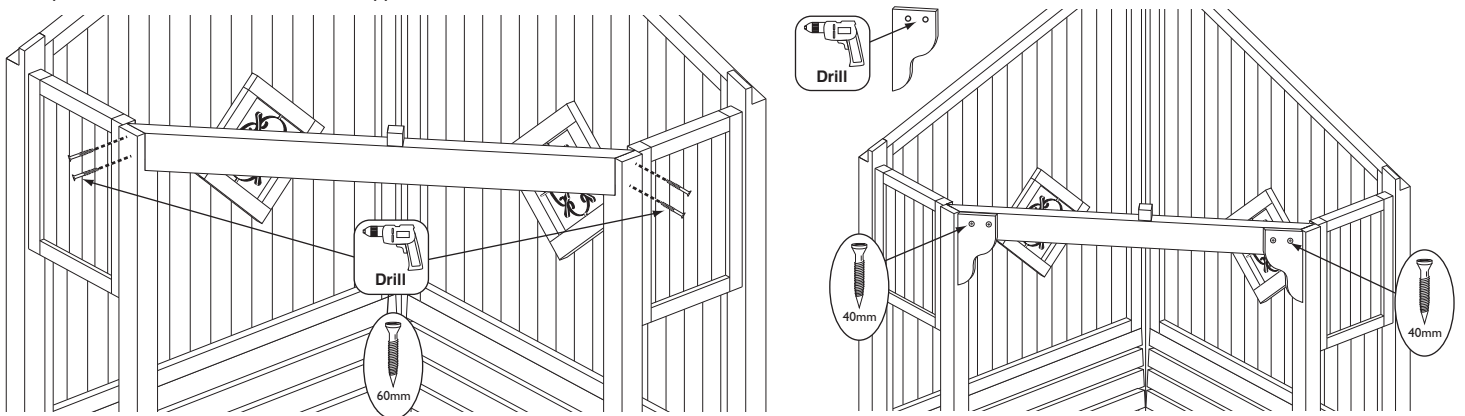
4. Back panels

Position the back panels on top of the seat backs between the uprights and centre post. Secure each one in place using 4 x 70mm screws. Screw through the frame of the back panel into the uprights.



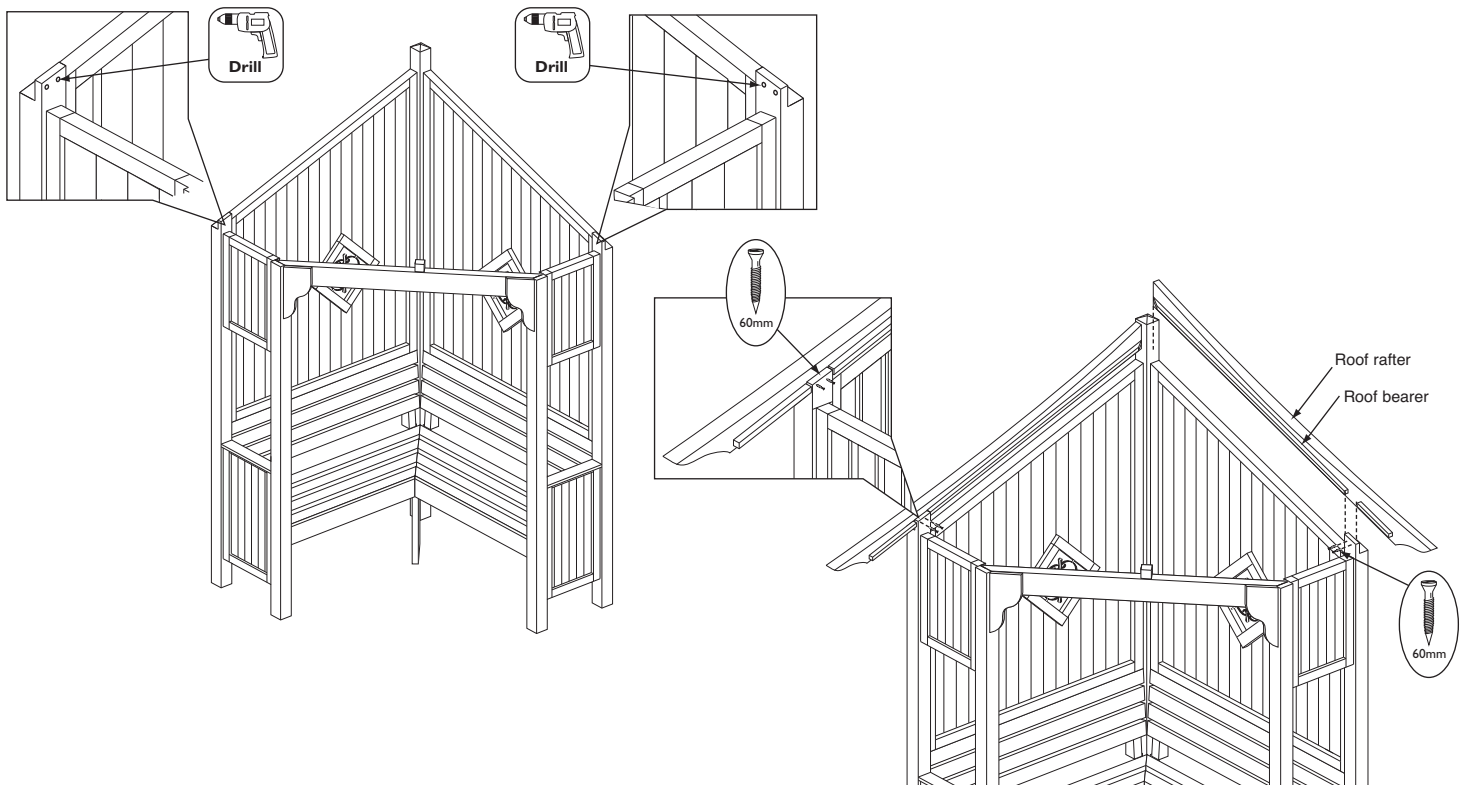
5. Centre roof rafter support

Drill two holes in each upright panel where indicated in the diagram below. Sit the centre support in the rebates of the two uprights and secure using 4 x 60mm screws, through the drilled holes and into the centre roof rafter support. Drill two holes in each finial where indicated in the diagram. Fit the finials as shown using 2 x 40mm screws per finial to the centre roof rafter support.



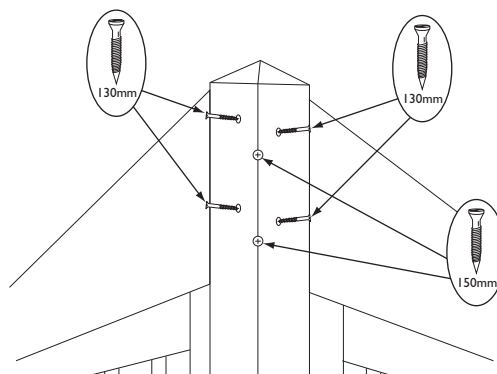
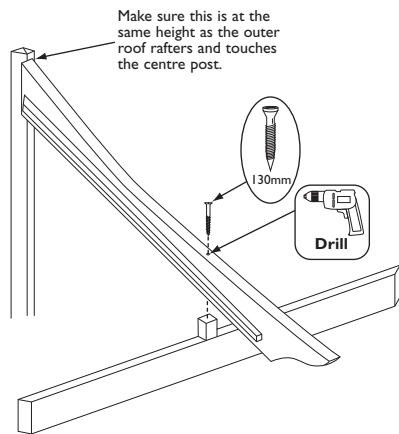
6. Roof rafters

Drill two holes in each upright panel where indicated in the diagram below. Place the roof rafters on top of the back panels make sure the roof bearers face inwards as shown in the diagram, secure through the drilled holes of the upright into the roof rafters using 2 x 60mm screws per rafter.



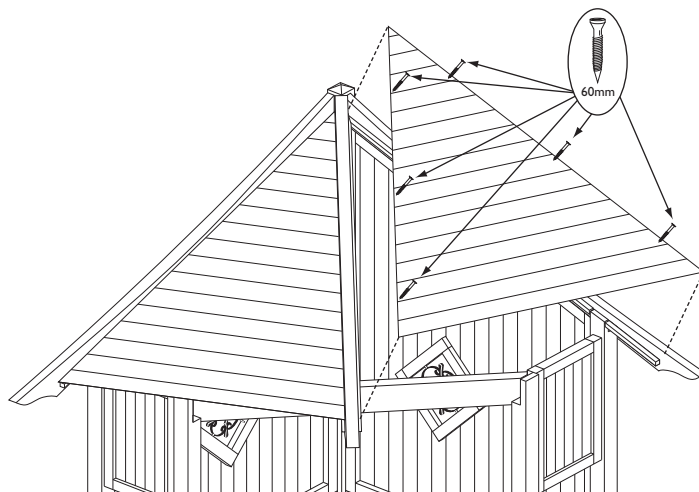
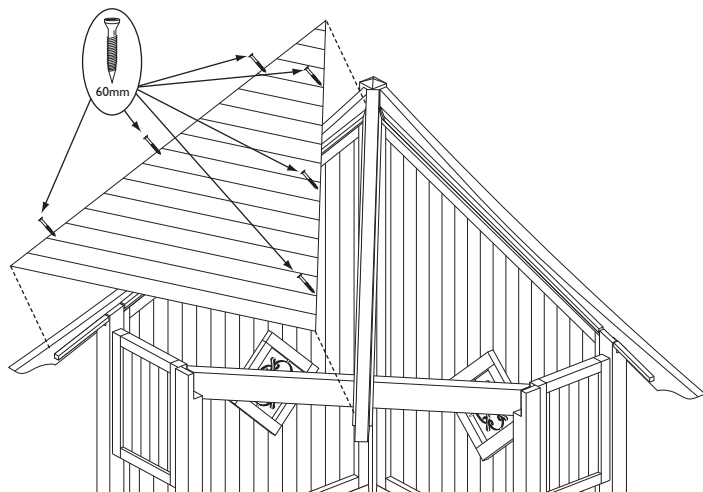
7. Centre roof rafter

Fix the centre roof support to the support block using 1 x 130mm screw as shown. Make sure that the back end of the centre roof rafter is touching the centre post and is at the same height as the outer roof rafters. Secure the outer rafters using 4 x 130mm screws through the holes in the centre post and into the ends of the roof rafters. Secure the centre rafter in the same way using 2 x 150mm screws.



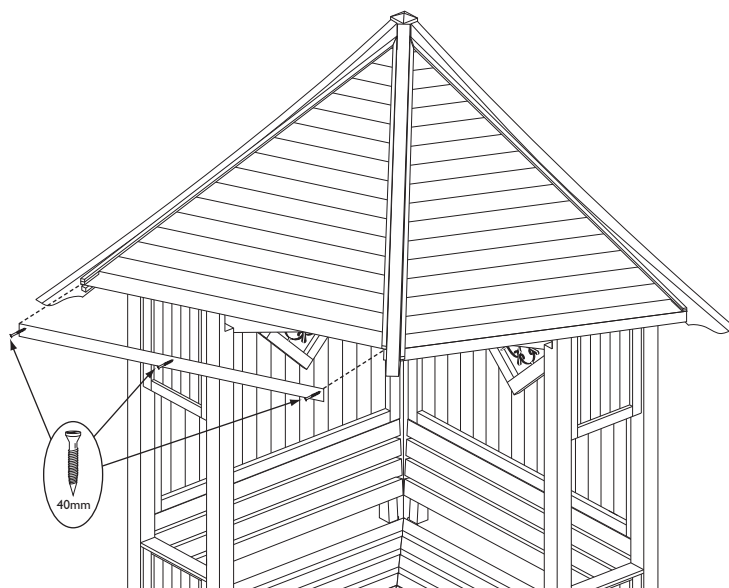
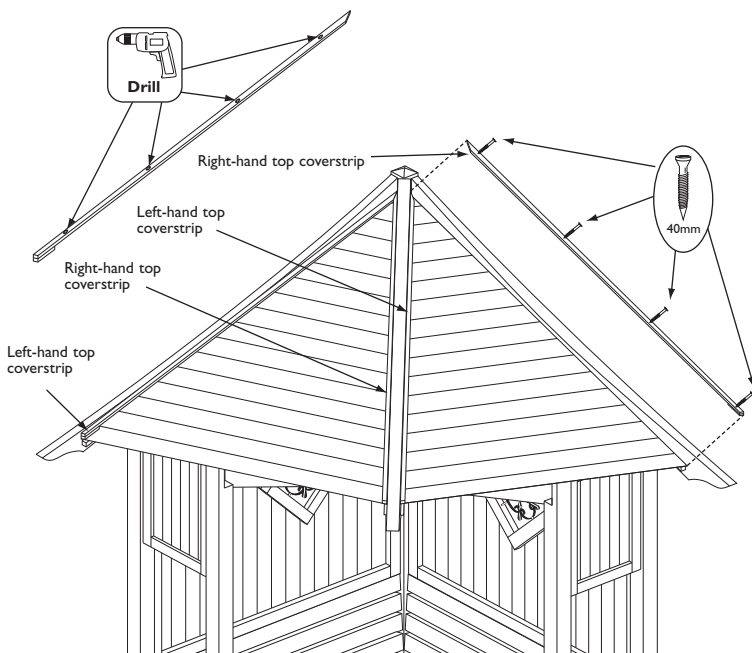
8. Roof panels

Lay the roof panels on the roof rafters and secure using 6 x 60mm screws per panel, screw through the panel and into the roof rafters as shown below.



9. Coverstrips

Drill four holes in each top coverstrip as shown below. Lay cover strips in place and secure with 4 x 40mm screws per strip, screw through the drilled holes of the coverstrip into the roof panel. Fix the front coverstrips to the ends of the roof panel bearers with 3 x 40mm screws per coverstrip as shown.



If in doubt of any aspect regarding the assembly, use or safety of your swing seat please contact us :

Help Line (Normal Office Hours) 01829 261121

ROWLINSON GARDEN PRODUCTS LIMITED
Green Lane
Wardle Nr.Nantwich
Cheshire
CW5 6BN

We constantly improve the quality of our products, occasionally the components may differ from the components shown and are only correct at time of printing. We reserve the right to change the specification of our products without prior notice.

2012 © Rowlinson Garden Products Ltd